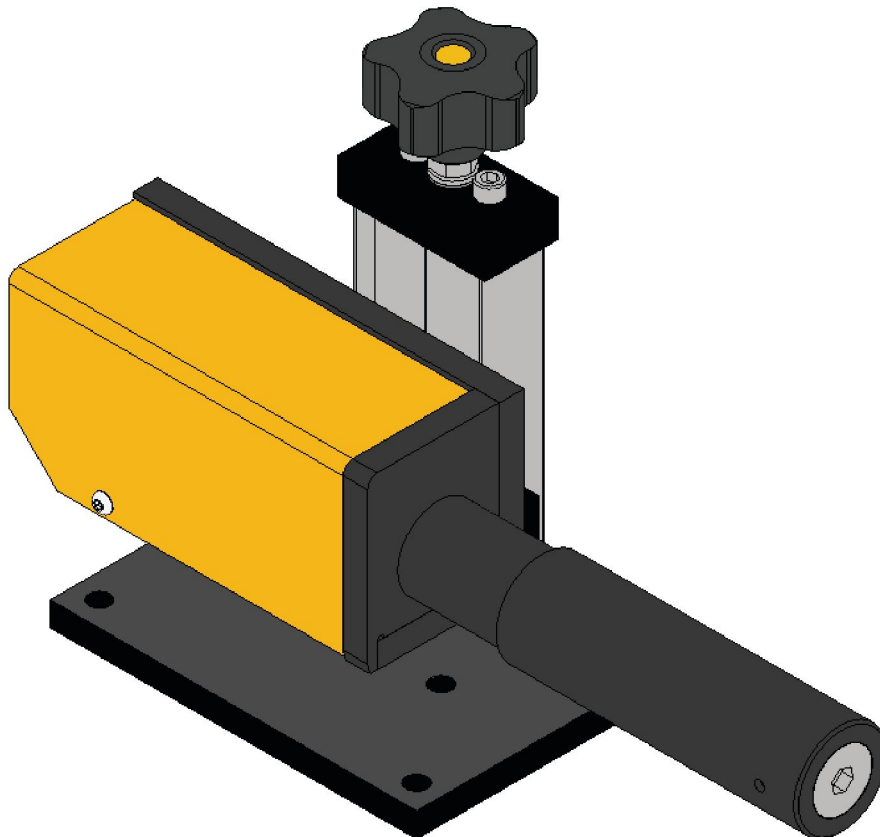


Weaving unit

W8000



Spare parts list

Ordering no.	Product	Notes	Serial no.
0459 990 646	Weaving unit W8000	Europe, CE	1901-xxxx

Spare parts may be ordered through your nearest ESAB dealer, see [esab.com](https://www.esab.com). When ordering, please state product type, serial number, denominations and ordering numbers according to the spare parts list. This facilitates dispatch and ensures correct delivery.

Maintenance and repair work should be performed by an experienced person, and electrical work only by a trained electrician. Use only recommended spare parts.

TABLE OF CONTENTS

SPARE PARTS **4**

Weaving unit **4**

Vertical slide **5**

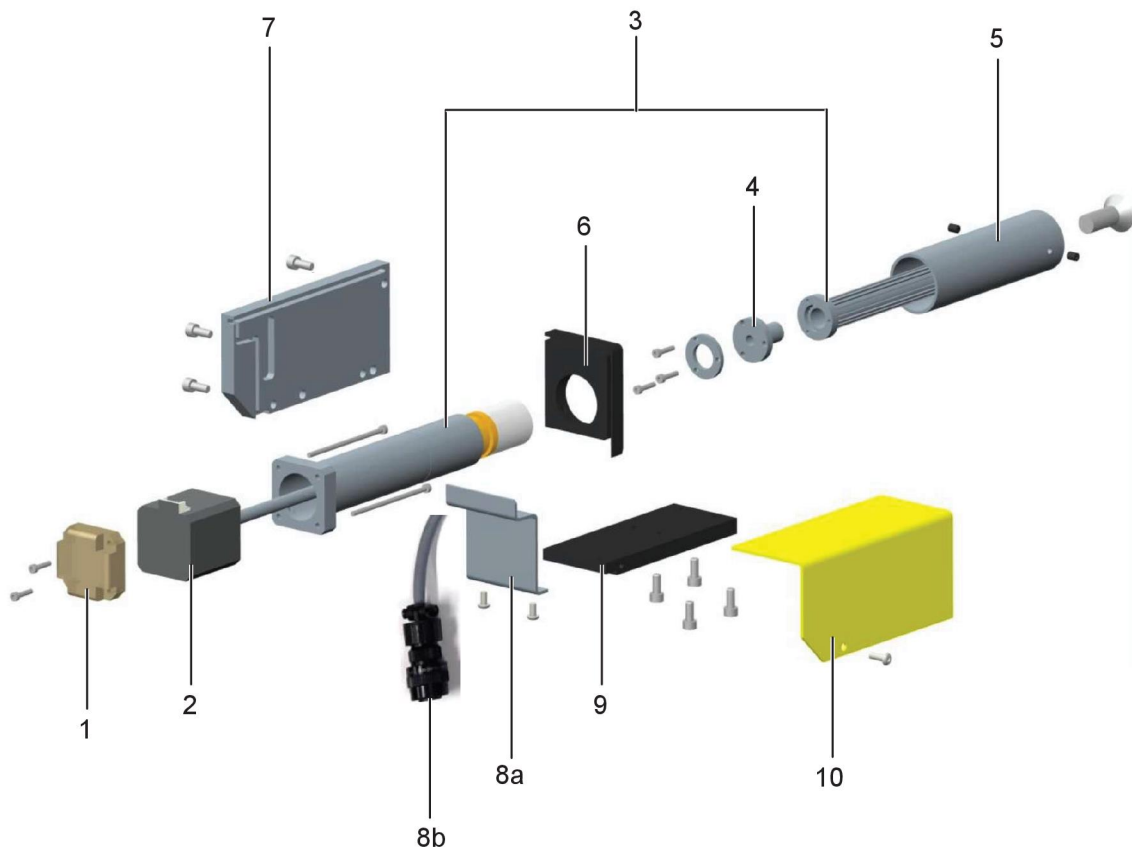
Bracket **6**

Control box **7**

SPARE PARTS

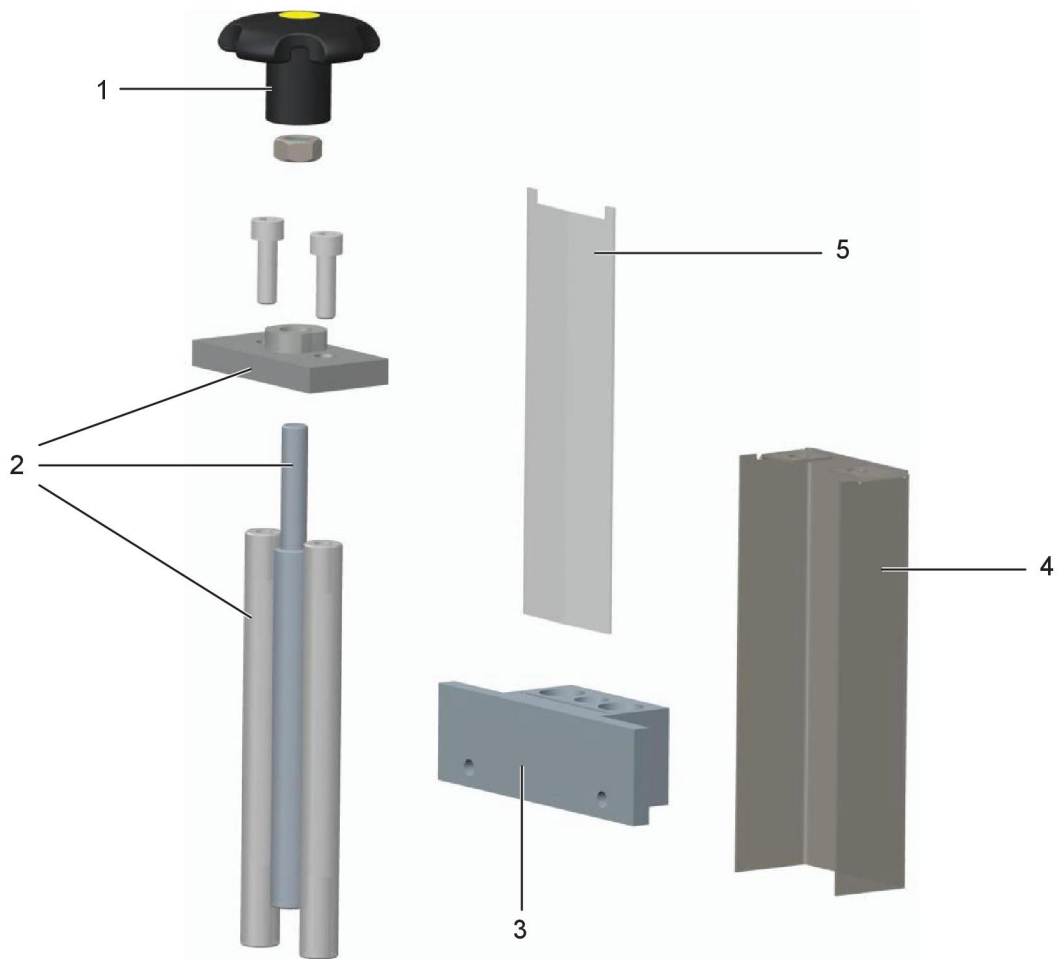
Weaving unit

Item	Qty	Ordering no.	Denomination
	1	0459 990 646	Weaving unit complete
1-4	1	039 8145 640	Complete center unit
1	1	0398 145 641	Motor driver weaver
2	1	0398 145 642	Actuator weaver
3	1	0398 145 643	Center unit weaver
4	1	0398 145 644	Nut weaver
5	1	0398 145 645	Front tube weaver
6	1	0398 145 646	Front plate weaver
7	1	0398 145 647	Side plate weaver
8a	1	0398 145 652	Plate weaver cable and connector
8b	1	0398 145 653	Cable connector weaver
9	1	0398 145 649	Bottom plate weaver
10	1	0398 145 650	Cover weaver



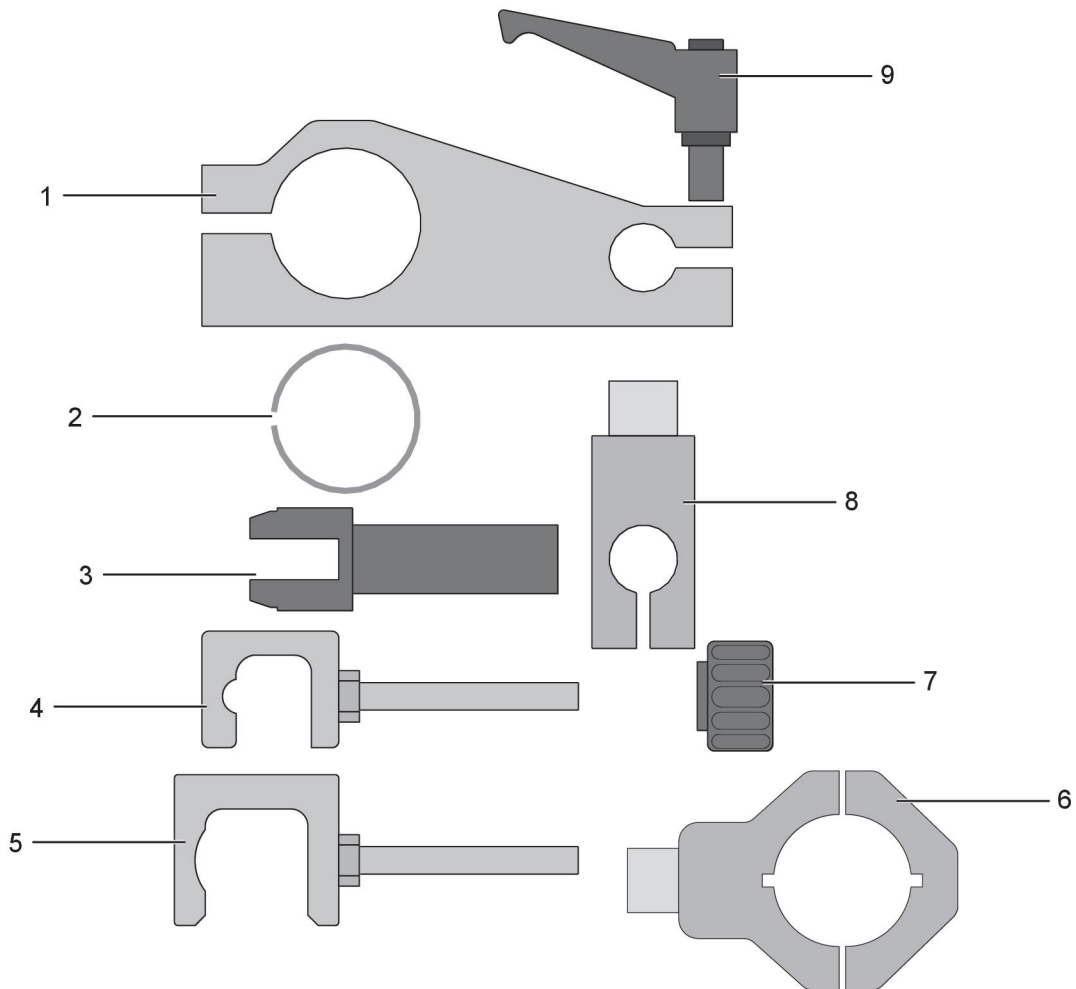
Vertical slide

Item	Qty	Ordering no.	Denomination
		0398 145 224	Vertical slide complete
1	1	0457 357 273	Knob slide
2	1	0457 357 247	Slide guides weaver screw and top
3	1	0457 357 248	Slide nut weaver
4	1	0457 357 245	Slide cover
5	1	0457 357 246	Slide plate



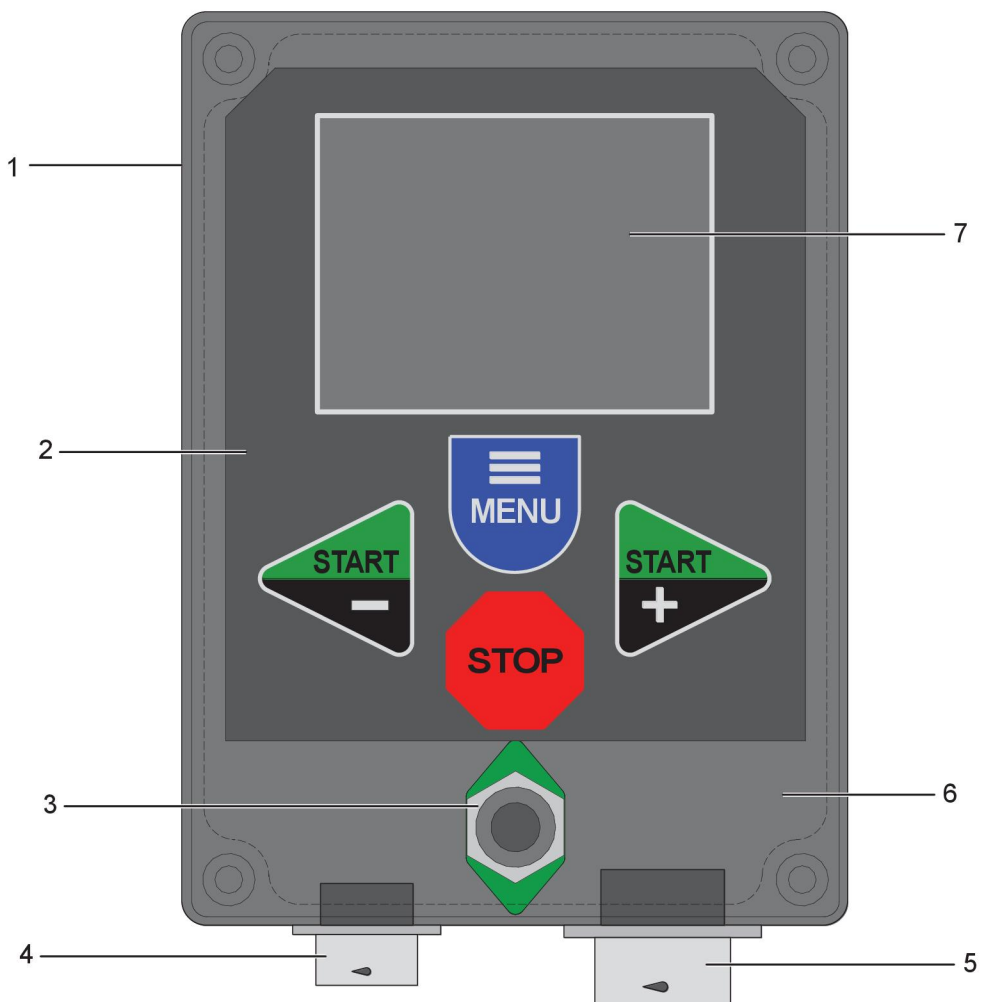
Bracket

Item	Qty	Ordering no.	Denomination
1	1	0398 145 801	Bracket weaving
2	1	0398 145 802	Isolation
3	1	0457 357 251	Welding torch bracket
4	1	0398 145 107	Torch holder Ø14-22mm
5	1	0398 145 106	Torch holder Ø20-30mm
6	1	0398 145 108	Torch holder Robot
7	1	0457 357 270	Knob M8 small
8	1	0398 145 808	Intermediate bracket short
9	1	0417 855 009	Lever



Control box

Item	Qty	Ordering no.	Denomination
1	1	0457 357 580	Control box complete
2	1	0457 357 550	Front foil
3	1	0457 357 540	Joystick 2-positions
4	1	0814 721 716	Connector 8-pin chassis
5	1	0457 357 531	Connector 12-pin chassis
6	1	0457 357 511	Control unit weaver power
7	1	0457 357 525	Switch board weaver display





A WORLD OF PRODUCTS AND SOLUTIONS.



For contact information visit esab.com

ESAB AB, Lindholmsallén 9, Box 8004, 402 77 Gothenburg, Sweden, Phone +46 (0) 31 50 90 00

<http://manuals.esab.com>

